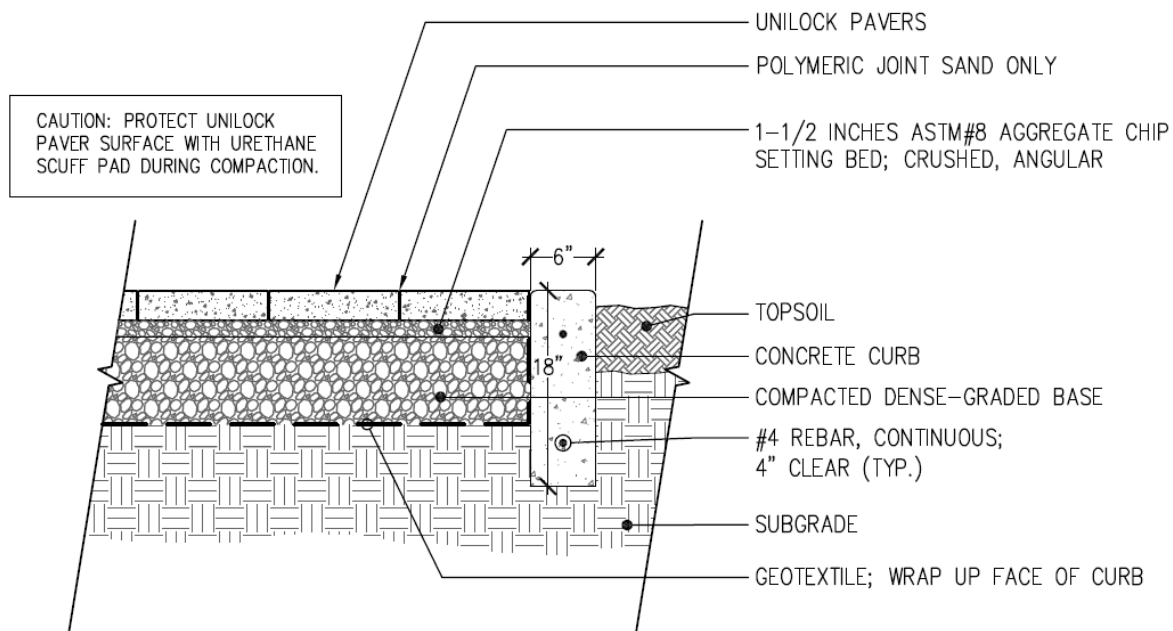


32-14-13

## Unilock Hybrid

For any additional information or assistance with this spec please contact your Unilock Representative.



**\*\*\* Delete all text in RED after modifying the text in BLUE. All BLUE text requires modification. \*\*\***

## FOREWORD

*These specifications have been prepared for the general guidance of architects, landscape architects, engineers, contractor and superintendents associated with the construction of interlocking concrete pavements. Consult with a licensed architect, landscape architect or engineer to determine the suitability of the design, confirm site conditions and monitor the installation in critical applications. Unilock is not responsible for the information in this specification meeting local or national building codes. The Architect, Landscape Architect or Engineer of Record is responsible selecting products that meet any and all building code requirements to gain occupancy permit and updating this specification as necessary.*

## INTRODUCTION

*Unilock® concrete pavers are manufactured in a variety of shapes and colors for residential, commercial, municipal and industrial applications. They offer design professionals several engineered pavement systems that are efficient, durable, economical and aesthetically attractive.*

*Unilock® concrete pavers are manufactured to tight dimensional tolerances. This, in combination with their interlocking capabilities, allows the surface to act as a total membrane with a high resistance to compressive loads and lateral forces maintaining its permeability.*

## SECTION 32 14 13

### CONCRETE PAVER MATERIALS

#### PART 1 GENERAL

##### 1.01 SUMMARY

- A. Section includes the following:
  - 1. Concrete Pavers
  - 2. Joint Sand
  - 3. Setting Bed Aggregate
  - 4. Base Aggregate
  - 5. Subbase Aggregate

##### 1.02 REFERENCES

Note: Design street, industrial, port and airport pavement thicknesses in consultation with a qualified civil engineer, in accordance with established flexible pavement design procedures, LOCKPAVE® software, and in accordance with Interlocking Concrete Pavement Institute Technical Bulletins. Sample construction detail drawings are available from Unilock®. This specification may require modifications.

- A. ASTM International, latest edition:
  - 1. C 33, Standard Specification for Concrete Aggregates.
  - 2. C 136, Standard Test Method for Sieve Analysis of Fine and Coarse Aggregates.
  - 3. C 140, Standard Test Methods for Sampling and Testing Concrete Masonry Units and Related Units.
  - 4. C 144 Standard Specifications for Aggregate for Masonry Mortar.
  - 5. D 448, Standard Classification for Sizes of Aggregate for Road and Bridge Construction.
  - 6. C 936, Standard Specification for Solid Concrete Interlocking Paving Units.
  - 7. C 979, Standard Specification for Pigments for Integrally Colored Concrete.
  - 8. D 698 Test Methods for Moisture Density Relations of Soil and Soil Aggregate Mixtures Using a 5.5 lb (24.4 N) Rammer and 12 in. (305 mm) drop.

9. D 1557 Test Methods for Moisture Density Relations of Soil and Soil Aggregate Mixtures Using a 10-lb (44.5 N) Rammer and 18 in. (457 mm) drop.
10. C1645 Standard Test Method for Freeze-thaw and De-icing Salt Durability of Solid Concrete Interlocking Paving Units
11. D 2940 Graded Aggregate Material for Bases or Subbases for Highways or Airports.
12. D 4632, Standard Test Method for Grab Breaking Load and Elongation of Geotextiles
13. D 4533, Standard Test Method for Index Trapezoidal Tearing Strength of Geotextiles
14. D 4833, Standard Test Method for Index Puncture Resistance of Geotextiles, Geomembranes and Related Products
15. D 4491, Standard Test Method for Water Permeability of Geotextiles by Permittivity
15. D 4751, Standard Test Method for Determining Apparent Opening Size of a Geotextile

Delete the BLUE text above if no geotextile is being utilized.

Note: In order to determine the latest version of the listed specifications and standards, please consult the ASTM web page ([www.astm.com](http://www.astm.com))

- B. U.S. Green Building Council Leadership in Energy and Environmental Design (LEED)
  1. Building Design + Construction, latest edition

### 1.03 SUBMITTALS

- A. Concrete Pavers:
  1. Samples for verification: Three representative full-size samples of each paver type, thickness, color and finish that indicate the range of color variation and texture expected upon project completion.
  2. Accepted samples become the standard of acceptance for the product produced.
  3. Test results from an independent testing laboratory for compliance of concrete pavers with ASTM C 936.
  4. Manufacturer's catalog product data, installation instructions, and material safety data sheets for the safe handling of the specified materials and products.
- B. Joint and Setting Bed Aggregate:
  1. Provide three representative one pound samples in containers of Joint Sand materials.
  2. Provide three representative one pound samples in containers of Setting Bed Aggregate materials.
  3. Test results from an independent testing laboratory for sieve analysis per ASTM C 136 conforming to the grading requirements of ASTM C 144.
- C. Polymeric Joint Sand: (only if using Polymeric Joint Sand, delete otherwise)
  1. Test results from an independent testing laboratory for sieve analysis per ASTM C 136 conforming to the grading requirements of ASTM C 144.
  2. Samples for Initial Selection: Provide three representative samples in containers of Polymeric Joint Sand material, cured and dried, for color selection.
  3. Samples for Verification: Provide three one pound samples in containers of Polymeric Joint Sand.
- D. Base and Subbase Aggregate:
  1. Test results from an independent testing laboratory for sieve analysis per ASTM C 136.
- E. Paving Installation Contractor:
  1. Job references from a minimum of three projects similar in size and complexity. Provide Owner/Client/General Contractor names, postal address, phone, fax, and email address.
- F. LEED: (required only for LEED projects, delete otherwise)
  1. Submit manufacturer data or certification letter for Concrete Pavers materials meeting LEED (latest edition) criteria for:

- a. Heat Island Reduction – Non-Roof: Solar Reflectance: initial solar reflectance of 0.33 or greater for on-grade applications.
- b. Sourcing of Raw Materials: Responsible Sourcing of Raw Materials – Recycled Content: product recycled content percentage by weight of post-consumer and pre-consumer recycled content.
- c. Material Ingredients: Option 1. Material Ingredient Reporting – Health Product Declaration (HPD): HPD 2.1 or latest transparency data sheet.

#### 1.04 QUALITY ASSURANCE

- A. Utilize a Manufacturer having at least ten years of experience manufacturing concrete pavers on projects of similar nature or project size.
- B. Source Limitations:
  1. Obtain Concrete Pavers from one source location with the resources to provide products of consistent quality in appearance and physical properties.
  2. Obtain Joint and Setting Bed Aggregates from one source with the resources to provide materials and products of consistent quality in appearance and physical properties.
  3. Obtain Polymeric Joint Sand from one source with the resources to provide materials and products of consistent quality in appearance and physical properties.
- C. Paving Contractor Qualifications:
  1. Utilize an installer having successfully completed concrete paver installation similar in design, material, and extent indicated on this project.
- D. Mockups:
  1. Install a 5 ft x 5 ft paver area per each paving pattern.
  2. Use this area to determine surcharge of the Setting Bed Sand layer, joint sizes, lines, laying pattern(s) and levelness. This area will serve as the standard by which the workmanship will be judged.
  3. Subject to acceptance by owner, mock-up may be retained as part of finished work.
  4. If mock-up is not retained, remove and properly dispose.

#### 1.05 DELIVERY, STORAGE & HANDLING

- A. In accordance with Conditions of the Contract and Division 1 Product Requirement Section.
- B. Deliver Concrete Pavers in manufacturer's original, unopened and undamaged container packaging with identification labels intact.
  1. Coordinate delivery and paving schedule to minimize interference with normal use of streets and sidewalks adjacent to paver installation.
  2. Deliver Concrete Pavers to the site in steel banded, plastic banded or plastic wrapped packaging capable of transfer by forklift or clamp lift.
  3. Unload Concrete Pavers at job site in such a manner that no damage occurs to the product or adjacent surfaces.
- C. Store and protect materials free from mud, dirt and other foreign materials.
- D. Prevent Joint and Setting Bed Aggregate from exposure to rainfall or removal by wind with secure, waterproof covering.
- E. Store Polymeric Joint Sand on elevated platforms, under a cover and/or in a dry location.

#### 1.06 PROJECT/SITE CONDITIONS

- A. Environmental Requirements:
  1. Install Concrete Pavers only on unfrozen Setting Bed Aggregates.
  2. Install Concrete Pavers only on unfrozen Base or Subbase Aggregate materials.
  3. Install Base or Subbase Aggregates only over unfrozen subgrade.
  4. Install Setting Bed Aggregates or Concrete Pavers when no heavy rain or snowfall are forecast within 24 hours.
- B. Weather Limitations for Polymeric Jointing Sand:

1. Install Polymeric Joint Sand only when ambient temperature is above 40°F (5°C), under dry conditions with no rain forecast for 24 hours and when surface of pavement is completely dry.

#### 1.07 CONCRETE PAVER OVERAGE AND ATTIC STOCK

- A. Provide a minimum of 5% additional material for overage to be used during construction.
- B. Contractor to provide 100 square feet of each product and size used to owner for maintenance and repair. Furnish Pavers from the same production run as installed materials.
- C. Manufacture to supply maintenance and reinstatement manuals for Concrete Paver units.

## PART 2 PRODUCTS

### 2.01 CONCRETE PAVERS

- A. Basis-of-Design Product: The Concrete Paver shapes are based on:
  1. Unilock: (Select product or products being used)
    - a. Courtstone
    - b. Copthorne
    - c. Richcliff
    - d. Senzo
    - e. Umbriano
    - f. Series 3000
    - g. IL Campo
    - h. Holland Premier
    - i. (other Unilock products)
  2. As manufactured by:  
Unilock (Add location)  
Address  
City, State and Zip  
Contact: (insert Unilock representative name and phone number) or your local Territory Manager
  3. The specified products establish minimum requirements that substitutions must meet to be considered acceptable.
    - a. To obtain acceptance of unspecified products, submit written requests at least 7 days before the Bid Date.

Note: Unless required by the owner, an "or equal" line is not necessary when using a basis-of-design specification with the above information is listed and outline in Division 1, Product Substitution Procedures.

Or choose number 3 below and delete above number 3.
  3. Substitutions: No substitutions permitted.
- B. Product requirements:
  1. Concrete Paver Type 1: insert product name
    - a. Finish: (Select finish type from below and insert here. Finish type will affect product pricing).
      1. Standard – this is not a face mix finish.
      2. Smooth (Premier) – this is a face mix finish.
      3. Brushed (Il Campo) – this is a face mix finish.
      4. Exposed Granite (Series) – this is a face mix finish.
      5. Granite appearance (Umbriano) – this is a face mix finish.
      6. Tile appearance (Senzo) – this is a face mix finish.
      7. Add other Unilock options.
    - b. Color: Insert product color
    - c. Edge: Chamfer, Rolled, Beveled, Zero-bevel, Micro-bevel, etc.

- d. Size: Manufacture the sizes indicated with a maximum tolerance of plus or minus 1/16 inch for length and width. Maximum height tolerance of plus or minus 1/8 inch.
  - 1. Insert all unit sizes.

Note: Imperial dimensions are nominal equivalents to the metric dimensions.
- e. LEED: HPD 2.1 or latest transparency data
- 2. Concrete Paver Type 2: insert product name
  - a. Finish: (Select finish type from below and insert here. Finish type will affect product pricing).
    - 1. Standard – this is not a face mix finish.
    - 2. Smooth (Premier) – this is a face mix finish.
    - 3. Brushed (Il Campo) – this is a face mix finish.
    - 4. Exposed Granite (Series) – this is a face mix finish.
    - 5. Granite appearance (Umbriano) – this is a face mix finish.
    - 6. Tile appearance (Senzo) – this is a face mix finish.
    - 7. Add other Unilock options.
  - b. Color: Insert product color
  - c. Edge: Chamfer, Rolled, Beveled, Zero-bevel, Micro-bevel, etc.
  - d. Size: Manufacture the sizes indicated with a maximum tolerance of plus or minus 1/16 inch for length and width. Maximum height tolerance of plus or minus 1/8 inch.
    - 1. Insert all unit sizes.

Note: Imperial dimensions are nominal equivalents to the metric dimensions.
  - e. LEED: HPD 2.1 or latest transparency data
- C. Provide pavers meeting the minimum material and physical properties set forth in ASTM C 936, Standard Specification for Interlocking Concrete Paving Units. Efflorescence is not a cause for rejection.
  - 1. Average compressive strength 8000 psi (55MPa) with no individual unit under 7,200 psi (50 MPa).
  - 2. Average absorption of 5% with no unit greater than 7% when tested according to ASTM C 140.
  - 3. Conforming to ASTM C 1645 when tested for freeze-thaw requirements.
  - 4. Height tolerances +/- 3.2 mm (1/8 in).

Note: Efflorescence is a whitish powder-like deposit that sometimes appears on concrete products. Calcium hydroxide and other water-soluble materials form or are present during the hydration of Portland cement. Pore water becomes saturated with these materials, and diffuses to the surface of the concrete. When this water evaporates, the soluble materials remain as a whitish deposit on the concrete surface. The calcium hydroxide is converted to calcium carbonate during a reaction with carbon dioxide from the atmosphere. The calcium carbonate is difficult to remove with water. However, the efflorescence will wear off with time, and it is advisable to wait a few months before attempting to remove any efflorescence. Commercially available cleaners can be used, provided directions are carefully followed. Some cleaners contain acids that may alter the color of the pavers.
- D. Accept only pigments in concrete pavers conforming to ASTM C 979.  
Note: ACI Report No. 212.3R provides guidance on the use of pigments.
- E. Maximum allowable breakage of product is 5%.

## 2.02 JOINT SAND

- A. Provide natural Joint Sand as follows:
  - 1. Washed, clean, non-plastic, free from deleterious or foreign matter, symmetrically shaped, natural or manufactured from crushed rock.
  - 2. Reject limestone screenings, stone dust, or sand for the Joint Sand material that does not conform to the grading requirements of ASTM C 33.
  - 4. Utilize sands that are as hard as practically available where concrete pavers are subject to vehicular traffic.

5. Gradation as shown in Table 1 below:

**TABLE 1 – JOINT SAND  
GRADATION REQUIREMENTS FOR JOINT SAND**

<b>ASTM C 144</b>		
<b>Sieve Size</b>	<b>Natural Sand Percent Passing</b>	<b>Manufactured Sand Percent Passing</b>
No. 4 (4.75 mm)	100	100
No. 8 (2.36 mm)	95 to 100	95 to 100
No. 16 (1.18 mm)	70 to 100	70 to 100
No. 30 (0.600 mm)	40 to 75	40 to 75
No. 50 (0.300 mm)	10 to 30	20 to 40
No. 100 (0.150 mm)	2 to 15	10 to 25
No. 200 (0.075)	0 to 1	0 to 10

**2.03 POLYMERIC JOINT SAND (optional depending on project needs)**

- A. Provide Polymeric Joint Sand as manufactured by:
1. Alliance Gator G2
    - a. Product Type: Dry mix, contains polymeric binding agent, activated with water.
    - b. Color: (Insert color Beige, Slate Grey, Ivory or Black Diamond) (Check local color availability)
  2. Unicare HP Polymeric Max Sand
    - a. Product Type: Dry mix, contains polymeric binding agent, activated with water.
    - b. Color: (Insert color Grey, Tan or custom)
- B. Provide Polymeric Joint Sand meeting the minimum material and physical properties as follows:
1. Compression Strength: proven resistance to compression of 550 PSI after drying for 7 days under controlled conditions (73°F (23°C) at 50% humidity).
    - a. Test sand sample shape: cylinder (2" (5 cm) dia. X 4" (10 cm) high).
  2. Gradation as shown Table 1 above.

**2.04 SETTING BED AGGREGATE**

- A. Provide Setting Bed Aggregate materials conforming to ASTM C 33 and gradation requirements of ASTM D 448 No. 8 as presented in Table 3.

**TABLE 3  
SETTING BED AGGREGATE  
GRADATION REQUIREMENTS**

<b>ASTM No. 8</b>	
<b>Sieve Size</b>	<b>Percent Passing</b>
½ in (12.5 mm)	100
3/8 in (9.5 mm)	85 to 100
No. 4 (4.75 mm)	10 to 30
No. 8 (2.36 mm)	0 to 10
No. 16 (1.18 mm)	0 to 5

- 2.05 BASE AGGREGATE (remove Table 3 below if included in other sections such as "Earthwork" or "Pour-in-Place Concrete" and reference the specification section)**

- A. Provide Base Aggregate materials conforming to ASTM D 2940 and gradation requirements as presented in Table 3.

**TABLE 3  
BASE AGGREGATE  
GRADATION REQUIREMENTS**

<b>ASTM D 2940</b>	
<b>Sieve Size</b>	<b>Percent Passing</b>
2 in (50 mm)	100
1-1/2 in (37.5 mm)	95 to 100
3/4 in (19 mm)	70 to 92
3/8 in (9.5 mm)	50 to 70
No. 4 (4.75 mm)	35 to 55
No. 30 (600 µm)	12 to 25
No. 200 (75 µm)	0 to 8*

\* In order to prevent damage by frost heaving, it may be necessary to limit the percentages of material passing the No. 200 sieve to less than shown in the tables.

**2.06 SUBBASE** (Add information below or reference sections in the contract documents with this information)

- A. Provide Subbase Aggregate as designed per the structure engineer.  
B. Insert gradation requirements here.

**2.07 GEOTEXTILE**

- A. Provide Geotextile material conforming to the following performance characteristics, measured per the test methods referenced:
1. 4 oz., nonwoven needle punched geotextile composed of 100% polypropylene staple fibers that are inert to biological degradation and resists naturally encountered chemicals, alkalis, and acids.
  2. Grab Tensile Strength: ASTM D 4632: 115 lbs.
  3. Grab Tensile Elongation: ASTM D 4632: 50%
  4. Trapezoidal Tear: ASTM D 4533: 50 lbs.
  5. Puncture: ASTM D 4833: 65 lbs.
  6. Apparent Opening Size: ASTM D 4751: 0.212 mm, 70 U.S. Sieve
  7. Permittivity: ASTM D 4491: 2.0 sec<sup>-1</sup>
  8. Flow Rate: ASTM D 4491: 140 gal/min/s.f.
- B. As supplied by Unilock (add location, address, City, State and Zip)  
Contact: (Insert Unilock representative name and phone number) or your local Territory Manager
1. Carthage Mills – FX-40HS
  2. U.S. Fabrics – US 115NW
  3. Mirafi – 140N

**2.08 EDGE RESTRAINTS** (modify per project requirements)

- A. Concrete Edge Restraint as indicated.  
B. Plastic and Metal Edge Restraints:
1. Pave Tech
    - a. Material Type: Plastic
    - b. Model No.: Pave Edge Rigid, Pave Edge Flexible, Pave Edge Industrial
  2. Snap Edge
    - a. Material Type: Plastic



- b. Model No.: One Piece Edging, 96 inches
- 3. Permaloc
  - a. Material Type: Aluminum
  - b. Model No.:

**Note:** The provision of suitable edge restraints is critical to the satisfactory performance of interlocking concrete block pavement. Abut pavers tightly against the restraints to prevent rotation under load and any consequent spreading of joints. Install sufficiently stable edge restraints that are, in addition to providing suitable edge support for the paver units, able to withstand the impact of temperature changes, vehicular traffic and/or snow removal equipment.

Curbs, gutters or curbed gutter, constructed to the dimensions of municipal standards (noting that these standards generally refer to cast-in-place concrete sections), are considered to be acceptable edge restraints for heavy duty installations. Where extremely heavy industrial equipment is involved such as container handling equipment, review the flexural strength of the edge restraint carefully particularly if a section that is flush with the surface is used and may be subjected to high point loading.

## 2.09 ACCESSORIES (Optional depending on project needs)

- A. [Cleaners] [Sealers] [Joint sand stabilizers]
  - 1. Supplier: Unilock (add location, address, City, State and Zip)  
Contact: (Insert Unilock representative name and phone number) or your local Territory Manager
  - 2. Material Type and Description: (Specify material type and description)
  - 3. Material Standard: (Specify material standard)

## PART 3 EXECUTION

### 3.01 EXAMINATION

- A. Examine areas indicated to receive paving for compliance with requirements for installation tolerances and other conditions affecting performance for the following items before placing the Concrete Pavers.
  - 1. Verify that subgrade preparation, compacted density and elevations conform to specified requirements.
  - 2. Verify that Geotextiles, if applicable, have been placed according to drawings and specifications.
  - 3. Verify that the Base and Subbase Aggregate materials, thickness, compacted density, surface tolerances and elevations conform to specified requirements.
  - 4. Provide written density test results for soil subgrade, Base and Subbase Aggregate materials to the Owner, General Contractor and paver installation subcontractor.
  - 5. Verify location, type, and elevations of edge restraints, concrete curbing, concrete collars around utility structures, and drainage inlets.
- B. Proceed with installation only after unsatisfactory conditions have been corrected.
  - 1. Beginning of Bedding Sand and Concrete Paver installation signifies acceptance of Base and edge restraints.

### 3.02 PREPARATION

- A. Verify that the subgrade soil is free from standing water.
- B. Stockpile Setting Bed Aggregate, Joint Sand, Base and Subbase Aggregate materials such that they are free from standing water, uniformly graded, free of any organic material or sediment, debris, and ready for placement.
- C. Remove any excess thickness of soil applied over the excavated soil subgrade to trap sediment from adjacent construction activities before placing the Geotextile and Subbase Aggregate materials.

- D. Keep area where pavement is to be constructed free from sediment during entire job. Remove and replace all **Geotextile**, Joint Sand, Setting Bed Aggregate, Base and **Subbase** Aggregate materials contaminated with sediment with clean materials.
- E. Complete all subdrainage of underground services within the pavement area in conjunction with subgrade preparation and before the commencement of Base or **Subbase** Aggregate construction.
- F. Prevent damage to underdrain pipes, overflow pipes, observation wells, or inlets and other drainage appurtenances during installation. Report all damage immediately.
- G. Compact soil subgrade uniformly to at least 95 percent of Standard Proctor Density per ASTM D 698 for pedestrian areas. Compact soil subgrade uniformly to at least 98 percent Modified Proctor per ASTM D 1557 for vehicular areas. Stabilization of the subgrade and/or base material may be necessary with weak or saturated subgrade soils.
- H. Backfill all service trenches within the pavement area to the sub-grade level with approved material placed in uniform lifts not exceeding 4 in. (100 mm) loose thickness. Compact each lift to at least 100 percent Standard Proctor Density as specified in ASTM D 698.
- I. Trim the subgrade to within 0 to ½ in. (0 to 13mm) of the specified grades. Do not deviate the surface of the prepared subgrade by more than 3/8 in. (10mm) from the bottom edge of a 39 in. (1m) straight edge laid in any direction.
- J. **Proof-roll prepared subgrade according to requirements in Division 31 Section "Earth Moving" to identify soft pockets and areas of excess yielding. Excavate soft spots, unsatisfactory soils, and areas of excessive pumping or rutting and replace with compacted backfill or fill as directed.**
- K. Do not proceed with further pavement construction, under any circumstances, until the subgrade has been inspected by the Architect/Engineer.

Note: Base compaction of the subgrade soil on the recommendations of the Design Engineer. Request the Architect/Engineer to inspect subgrade preparations, elevations and conduct density tests for conformance to specifications.

Note: **Mechanical tampers (jumping jacks) are recommended for compaction of soil subgrade and aggregate base around lamp standards, utility structures, building edges, curbs, tree wells and other protrusions. Compact areas, not accessible to roller compaction equipment, to the specified density with mechanical tampers. CAUTION – Proceed with care around the perimeters of excavations, buildings, curbs, etc. These areas are especially prone to consolidation and settlement. Do not place wedges of backfill in these areas. If possible particularly in these areas, proceed with backfilling and compacting in shallow lifts, parallel to the finished surface.**

### 3.03 INSTALLATION

#### A. EDGE RESTRAINTS

1. Provide concrete edge restraints as indicated.
  - a. Install job-built concrete edge restraints to comply with requirements in **Division 3 Section "Cast-in-Place Concrete."**
  - b. Provide concrete edge restraint along the perimeter of all paving as indicated. Install the face of the concrete edge restraint, where it abuts pavers vertical down to the subbase.
  - c. Construct concrete edge restraint to dimensions and level specified and support on a compacted subbase not less than 6 in (150 mm) thick.
2. **Provide plastic or metal edge restraints as indicated. (Delete if not being used).**
  - a. **Provide plastic or metal edge restraints along the perimeter of all paving as indicated and supported on a minimum of 6 inches (150 mm) of Base Aggregate.**
  - b. **Provide 10" spiral galvanized or stainless steel spike to fasten plastic edge restraint at 24 inches on center for straight sections and 12 inches on center for curved sections.**

- B. **GEOTEXTILES (Delete if not being used).**
1. Provide separation geotextile on bottom and sides of prepared soil subgrade. Secure in place to prevent wrinkling or folding from equipment tires and tracks.
  2. Overlap ends and edges a minimum of 18 in. (450 mm) in the direction of drainage.
- C. **BASE AND SUBBASE AGGREGATE**
1. Provide the Subbase Aggregate in uniform lifts not exceeding 6 in., (150 mm) loose thickness and compact to at least 100 percent Standard Proctor Density as per ASTM D 698.
  2. Compact the Subbase Aggregate material with at least two passes in the vibratory mode then at least two in the static mode with a minimum 10 ton vibratory roller until there is no visible movement. Do not crush aggregate with the roller.
  3. Tolerance: Do not exceed the specified surface grade of the compacted Subbase Aggregate material more than  $\pm 3/4$  in. (20 mm) over a 10 ft. (3 m) long straightedge laid in any direction.
  4. Provide the Base Aggregate material in uniform lifts not exceeding 6 in. (150 mm) over the compacted Subbase Aggregate (or Subgrade) material and compact to at least 100 percent Standard Proctor Density as per ASTM D 698.
  5. Compact the Base Aggregate material with at least two passes in the vibratory mode then at least two in the static mode with a minimum 10 ton vibratory roller until there is no visible movement. Do not crush aggregate with the roller.
  6. Tolerance: Do not exceed the specified surface grade of the compacted Base Aggregate material more than  $\pm 3/8$  in. (10 mm) over a 10 ft. (3 m) long straightedge laid in any direction.
  7. Compact and grade the upper surface of the base sufficiently to prevent infiltration of the bedding sand into the base both during construction and throughout its service life. Blend segregated areas of the granular base by the application of crushed fines that have been watered and compacted into the surface.
- D. **SETTING BED AGGREGATE**
1. Provide, spread and screed Setting Bed Aggregate evenly over the compacted Base Aggregate course.
    - a. Protect screeded Setting Bed Aggregate from being disturbed by either pedestrian or vehicular traffic.
    - b. Screed only the area which can be covered by pavers in one day.
    - c. Do not use Setting Bed Aggregate material to fill depressions in the base surface.
  2. Keep moisture content constant and density loose and constant until Concrete Pavers are set and compacted.
  3. Screed Setting Bed Aggregate using either an approved mechanical spreader (e.g.: an asphalt paver) or by the use of screed rails and boards. Maintain in a loose condition slightly ahead of the paving units and fully protect against incidental compaction following screeding. Loosen compacted aggregate by rain or screeded aggregate left overnight before further paving units are placed.
  4. Inspect the Setting Bed Aggregate course prior to commencing the placement of the Concrete Pavers. Acceptance of the Setting Bed Aggregate occurs with the initiation of Concrete Paver placement.
- E. **CONCRETE PAVERS**
1. Replace Concrete Pavers with chips, cracks, voids, discolorations, and other defects that might be visible in finished work.
  2. Mix Concrete Pavers from a minimum of three (3) bundles simultaneously drawing the paver vertically rather than horizontally, as they are placed, to produce uniform blend of colors and textures. (Color variation occurs with all concrete products. This phenomenon is influenced by a variety of factors, e.g. moisture content, curing conditions, different aggregates and, most commonly, from different production runs. By installing from a minimum of three (3) bundles simultaneously, variation in color is dispersed and blended throughout the project).

3. Exercise care in handling face mix concrete pavers to prevent surfaces from contacting backs or edges of other units.
  4. Provide Concrete Pavers using laying pattern as indicated. Adjust laying pattern at pavement edges such that cutting of edge pavers is minimized. Cut all pavers exposed to vehicular tires no smaller than one-third of a whole paver.
  5. Use string lines or chalk lines on Setting Bed Aggregate to hold all pattern lines true.
  6. Set surface elevation of pavers 1/8 in. (3 mm) above adjacent drainage inlets, concrete collars or channels.
  7. Place units hand tight against spacer bars. Adjust horizontal placement of laid pavers to align straight.
    - a. When installation is performed with mechanical equipment, use only unit pavers with spacer bars on sides of each unit.
  8. Provide space between paver units of 1/32 in. (1 mm) wide to achieve straight bond lines.
  9. Prevent joint (bond) lines from shifting more than  $\pm 1/2$  in. ( $\pm 13$  mm) over 50 ft. (15 m) from string lines.
  10. Fill gaps between units or at edges of the paved area that exceed 3/8 inch (10 mm) with pieces cut to fit from full-size unit pavers.
  11. Cut Concrete Pavers with motor-driven masonry saw equipment to provide clean, sharp, unchipped edges. Cut units to provide pattern indicated and to fit adjoining work neatly. Use full units without cutting where possible. Hammer cutting is not acceptable.
  12. Prevent all traffic on installed Concrete Pavers until Joint Sand has been vibrated into joints. Keep skid steer and forklift equipment off newly laid Concrete Pavers that have not received initial compaction and Joint Sand material.
  13. Vibrate Concrete Pavers into leveling course with a low-amplitude plate vibrator capable of a to 5000-lbf (22-kN) compaction force at 80 to 90 Hz. Perform at least three passes across paving with vibrator. Vibrate under the following conditions:
    - a. After edge pavers are installed and there is a completed surface or before surface is exposed to rain.
    - b. Compact installed Concrete Pavers to within 6 feet (2 meters) of the laying face before ending each day's work. Cover Concrete Pavers that have not been compacted and leveling course on which pavers have not been placed, with nonstaining plastic sheets to prevent Setting Bed Aggregate from becoming disturbed.
  14. Protect face mix Concrete Paver surface from scuffing during compaction by utilizing a urethane pad.
  15. Remove any cracked or structurally damaged Concrete Pavers and replace with new units prior to installing Joint Sand material.
- F. JOINT SAND
1. Provide, spread and sweep dry Joint Sand into joints immediately after vibrating pavers into Setting Bed Aggregate course until full. Vibrate pavers and add Joint Sand material until joints are completely filled, then remove excess material. This will require at least 4 passes with a plate compactor.
  2. Leave all work to within 3 ft. (1 m) of the laying face fully compacted with sand-filled joints at the completion of each day.
  3. Remove excess Joint Sand broom clean from surface when installation is complete.
  4. [Polymeric Joint Sand](#)
    - a. [Install Polymeric Joint Sand per manufacturers recommended instructions.](#)
- 3.04 FIELD QUALITY CONTROL
- A. Verify final elevations for conformance to the drawings after sweeping the surface clean.

1. Prevent final Concrete Paver finished grade elevations from deviating more than  $\pm 3/8$  in. ( $\pm 10$  mm) under a 10 ft (3 m) straightedge or indicated slope, for finished surface of paving.
  - B. Lippage: Paver-to-Paver Lippage:
    1. No greater than 3 mm (1/8 inch) difference in height between adjacent pavers.  
*Note: The industry standard acceptable lippage between adjacent pavers is 3 mm (1/8 inch). Achieving a completely flush paver surface is most desirable but may be unattainable depending on factors such as paver type, setting bed materials or depth, ASTM manufacturing standards or other specific project needs. Consult with your Unilock representative to determine the best approach for a reasonable lippage tolerance on each project.*
- 3.05 REPAIRING, CLEANING AND SEALING
- A. Remove and replace unit pavers that are loose, chipped, broken, stained, or otherwise damaged or that do not match adjoining units. Provide new units to match adjoining units and install in same manner as original units, with same joint treatment and with no evidence of replacement.
  - B. Cleaning: Remove excess dirt, debris, stains, grit, etc. from exposed paver surfaces; wash and scrub clean.
    1. Clean Concrete Pavers in accordance with the manufacturer's written recommendations.
  - C. Seal as indicated. (If not indicated elsewhere in the contract documents, sealing is not required and remove this section 3.05, C.)
    1. Apply Sealer for Permeable Concrete Pavers in accordance with the sealer and paver manufacturer's written recommendations.
- 3.06 PROTECTION
- A. Protect completed work from damage due to subsequent construction activity on the site.
- END OF SECTION